

Advanced Satellite Charging System

Technical Datasheet

S-Series Charging Satellite



Inspiring user experience

There are seven variations of S-Series charging satellites, equipped with one or two charging outputs each. One satellite charging system can consist of up to 4 double or 8 single satellites, in total 8 charging outputs.

The power to Satellites is supplied by C-Series Charging Power Unit (CPU), providing a maximum power of up to 200/400/600 kW, depending of the CPU version and cable sizing.

S-Series fits locations where a heavy-duty usage, and a high number of charging outputs are needed, such as gas stations, shopping malls, distribution centers, parking areas and bus depots.

- ▶ S-Series charging satellites are built with an advanced cable support system (pat. pend.), to provide premium user experience
- ▶ Intuitive user menu on a 7" touch screen makes the charging process smooth, and easy to follow, also on a mobile phone
- ▶ S-Series Charging Satellites enable flexibility on designing the charging system topology
- ▶ ChargeEye connected services provide remote connectivity with diagnostics and maintenance tools



DC charging cables are equipped with an advanced cable management system

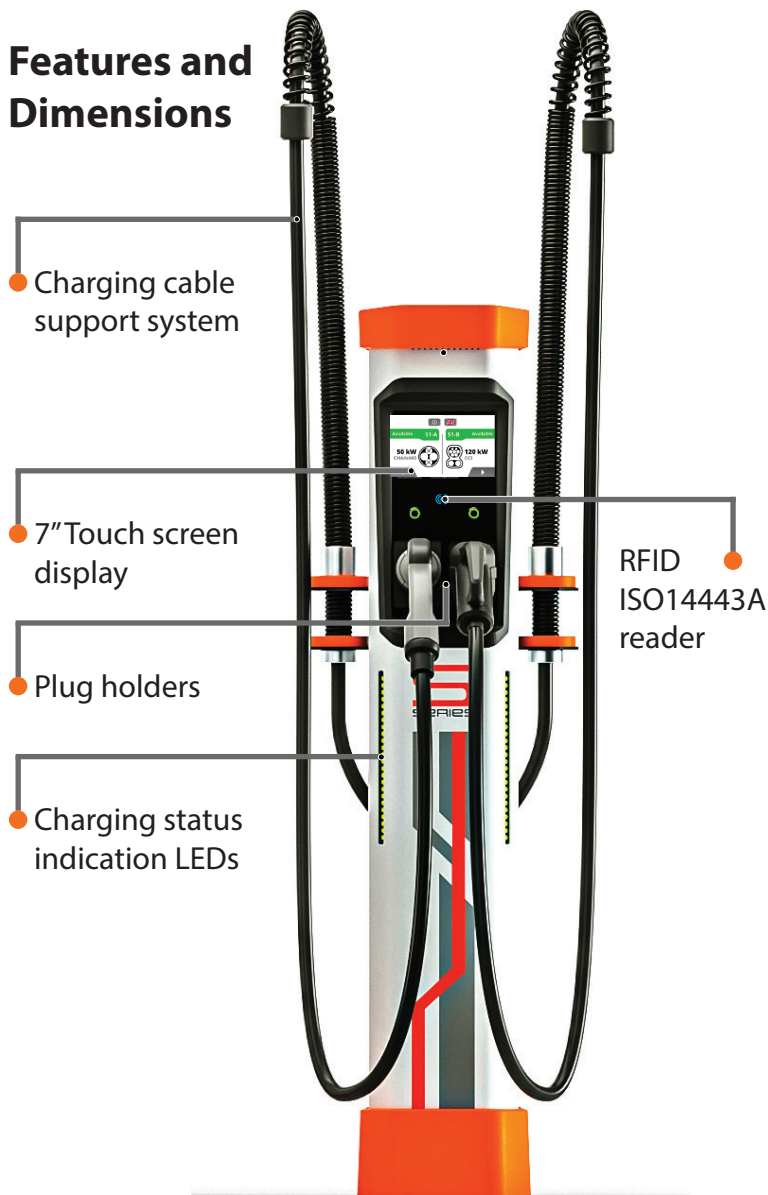
Advanced Satellite Charging System

Technical datasheet



⚠ Recommended max. DC cabling between the CPU and satellite/pantograph is up to 50 meters. For longer distances, please consult Kempower.

Features and Dimensions



S-Series product codes

S - CC - 5C - S

Charging method (Type)
available model options in table below

Charging cable
5=5 meters, C = 200A maximum current

User interface
S = Standard interface

Type	Description
C	CCS 2
CC	2 x CCS 2
CA	CCS 2 & Type 2 AC Socket
D	CHAdEMO
DA	CHAdEMO & Type 2 AC Socket
CD	CCS2 & CHAdEMO
AA	2 x Type 2 AC Socket
X	CCS2 & CHAdEMO (flex)
U	CCS 1
UU	2 x CCS 1
UA	CCS 1 & Type 2 AC Socket
UD	CCS 1 & CHAdEMO
Y	CCS 1 & CHAdEMO (flex)

Note: CHAdEMO charging cable is always on the left side, a single CCS on the right side of the Satellite

Current	Description
A	60 - 80 A
B	125 - 150 A
C	200 A
D	250 A
E	300 A

⚠ Warning: Never release the charging cable from your hand when moving it to or from the vehicle, to prevent damaging the plug or the vehicle. After charging, always place the plug back into its holder.

Subject to change without notice © Kempower 2021

Specification

General electric specifications

DC charging connector	CCS1/2 IEC 62196-3 CHAdeMO
Power / current (DC) voltage	See table below max. 1000 V _{DC}
AC charging socket	Type 2 IEC 62196
Power / current (AC)	See table below
Standby power	25 W

Environmental specifications

Ambient temperature	-35 to +55 °C (with derating)
Maximum altitude	2000 m
Storage temperature	-40 to +60 °C
Enclosure class	IP54, IK10
Humidity	< 95% relative humidity

Features

7" Touch screen display, connectivity to ChargeEye cloud-based back-end service and management dashboard, charging status indication LEDs, advanced cable support system, RFID ISO14443A reader

Protections

Device and charging cable over temperature

Compliance to standards

Electrical safety & EMC IEC 61851-1,
IEC 61851-23
IEC 61851-21-2

Mechanical dimensions (WxHxD)

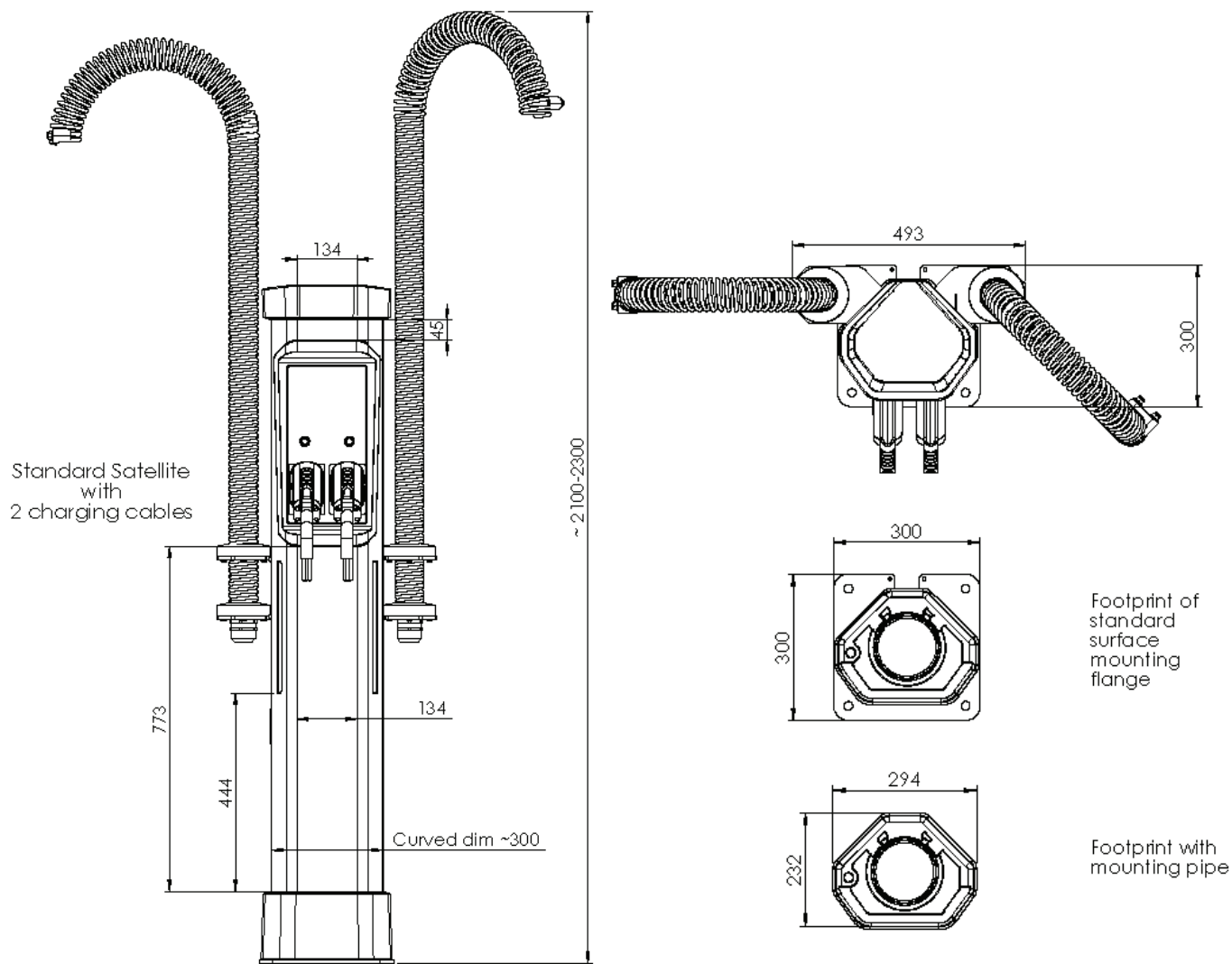
Standard model footprint 300x1500x300 mm
Footprint with mounting pipe 294x1500x240 mm
With 2 charging cables ca. 500x2300x521 mm

Model-specific values

S-Series		Product code	Simultaneous charging with 2 outputs possible	CCS			CHAdeMO			Type 2 AC			DC Charging cable length [m]	Satellite weight [kg]	Notes:
				Charging outputs	Maximum continuous charging current at +40 C [A]	Charging power at 400 V _{DC} [kW]	Charging power at 670 V _{DC} [kW] (with C800 series)	Charging outputs	Maximum continuous charging current at +40 C [A]	Charging power at 400 V _{DC} [kW]	Charging outputs	Maximum continuous charging current at +40 C [A]			
1.	SC 5A S			2	80	32	50						5	80	
2.	SC 5B S		•	1	150	60	100						5	80	
3.	SC 5C S			1	200	80	130						5	82	
4.	SC 5E S			1	300	120	200						5	87	
5.	SCC 5A S			1	80	32	50						5	80	
6.	SCC 5B S			2	150	60	100						5	82	
7.	SCC 5C S		•	2	200	80	130						5	97	
8.	SCC 5E S		•	2	300	120	200						5	107	
9.	SCA 5B S **		•	1	150	60	100			1	3 x 32	22	5	77	
10.	SCA 5C S **		•	1	200	80	130			1	3 x 32	22	5	82	
11.	SCA 5E S **		•	1	300	120	200			1	3 x 32	22	5	87	
12.	SAA S		•							2	3 x 32	22		67	
13.	SD 5B S		•					1	125	50			5	80	
14.	SDA 5B S							1	125	50	1	3 x 32	22		83
15.	SX 5EB S			1	300	120	130	1	125	50			5	108	
16.	SCD 5B S		•	1	150	60	100	1	125	50			5	110	
17.	SCD 5CB S		•	1	200	80	130	1	125	50			5	98	
18.	SCD 5EB S		•	1	300	120	200	1	125	50			5	112	
19.	SU 5C S			1	200	80	130						5	80	
20.	SY 5CB S **			1	200	80	130	1	125	50			5	92	

**Preliminary, contact Kempower for estimated delivery time

S-Series mechanical dimensions



S-Series options

Item	Definition
S-Series steel foundation	Installation kit for a single satellite for prefabricated cylinder type concrete foundation, with 5 inch hole. Standard concrete foundation element that is used for traffic lights is suitable for ground installation of the satellite. Steel tube with assembly elements provides more installation space for DC cables. Consult Kempower for details.

Your local dealer



CE Manufactured in Finland

Subject to change without notice © Kempower 2021